



## UCP Series - Steel

### UCP Bearing Housings.

UCP Bearing Housings in Cast Iron, Steel & Stainless steel.

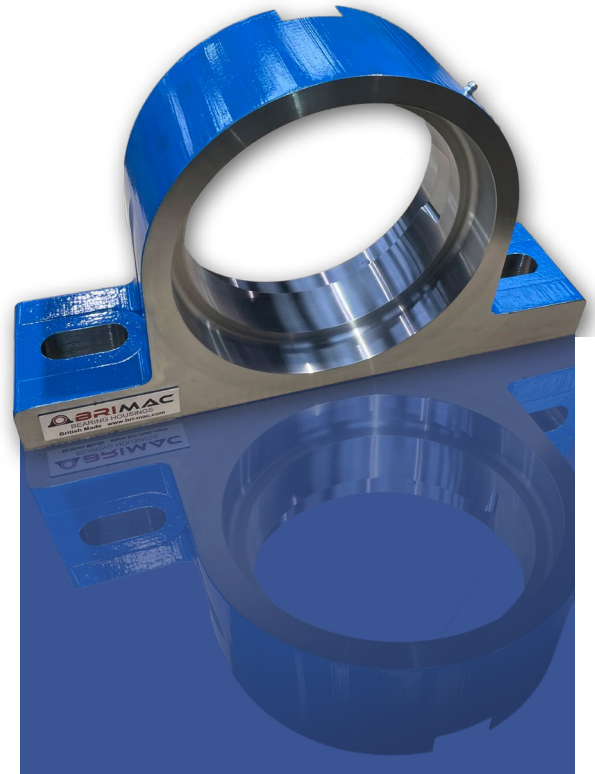
Bri-Mac can manufacture these Bearing Housings in Flame-cut Steel resulting in a much stronger product when compared to the standard Cast Iron unit.

Manufactured to suit any Bearing size.

We can design to suit your special requirements.

We can offer rapid delivery of the flame-cut steel version.

Bri-Mac can supply these Bearing Housings with or without Bearings.



#### **MATERIALS:**

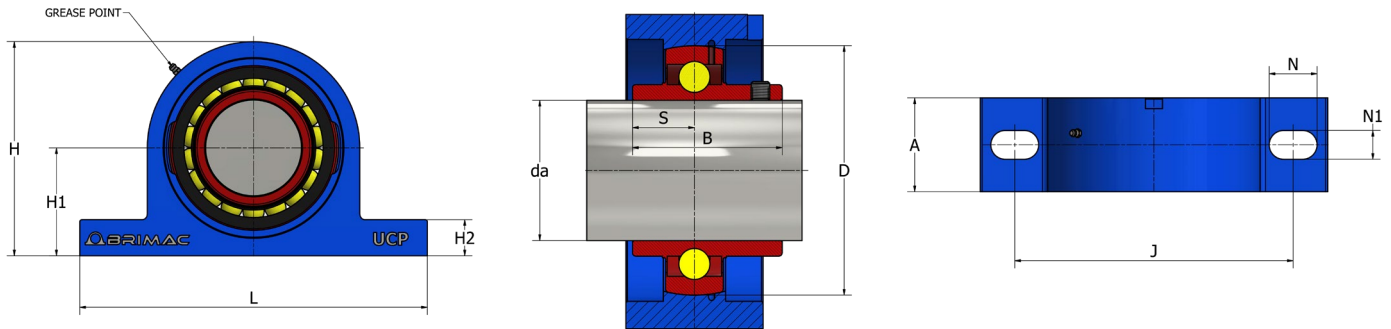
UCP Bearing Housings can be supplied in following materials.

- **UCP** Standard cast iron.
- **UCP-SS** Stainless steel (grade 306 or 316).
- **UCP-T** Flame cut steel (grade S275JR).

“BEARING HOUSING SOLUTIONS – WORLDWIDE”



## UCP Series - Steel



Bri-Mac Part No	Shaft Dia (da)	Dimensions (mm)										
		D	S	B	A	H	H1	H2	L	J	N	N1
UCP 201	12	47	12.7	31	38	62	15	14	127	95	16	13
UCP 202	15											
UCP 203	17											
UCP 204	20					65	33.3					
UCP 205	25	52	14.3	34.1	38	71	36.5	15	140	105	16	13
UCP 206	30	62	15.9	38.1	48	83	42.9	17	165	121	20	17
UCP 207	35	72	17.5	42.9	48	93	47.6	18	167	127	20	17
UCP 208	40	80	19	49.2	54	98	49.2	18	184	137	20	17
UCP 209	45	85	19	49.2	54	106	54	20	190	146	20	17
UCP 210	50	90	19	51.6	60	114	57.2	21	206	159	23	20
UCP 211	55	100	22.2	55.6	60	126	63.5	23	219	171	23	20
UCP 212	60	110	25.4	65.1	70	138	69.8	25	241	184	23	20
UCP 213	65	120	25.4	65.1	70	151	76.2	27	265	203	28	25
UCP 214	70	125	30.2	74.6	72	157	79.4	27	266	210	28	25
UCP 215	75	130	33.3	77.8	74	163	82.6	28	275	217	28	25
UCP 216	80	140	33.3	82.6	78	175	88.9	30	292	232	28	25
UCP 217	85	150	34.1	85.7	83	187	95.2	32	310	247	28	25
UCP 218	90	160	39.7	96	88	200	101.6	33	327	262	30	27

“BEARING HOUSING SOLUTIONS – WORLDWIDE”