



## SDT 3100 Bearing Housings Cast Steel

SDT Bearing Housings are split plummer blocks manufactured in cast steel for spherical roller bearings with adapter sleeves.

SDT plummer block housings are designed for heavier loads applied vertically to the bridging surface.

In these instances, the permissible load is determined by the load rating of the fitted bearing.

These housings have an oil well to one side of the bearing, which acts as an oil bath when used with oil lubrication.

Greasing points can be added over the bearing and over labyrinth seals.

For blank shaft end applications, a blank end cover is supplied as standard, manufactured in steel.

Taconite seals can also be designed & fitted to these housings.

Should extra strength be required, we can supply these housings with solid bases.



### SUPPLEMENTARY DESIGNATIONS:

Housings for bearing with adapter sleeve for plain cylindrical shaft	Standard
Housings for shaft end, with end cover	A
Housings for non-locating bearing	L
Housings for locating bearing	F
Housings with labyrinth seals	TS

### SEALS:

Standard labyrinth seal are supplied with the housings. However, we can also supply special sealing configurations on request.

### EYE BOLT:

Eyebolts are provided for heavier bearing housings.

### MATERIALS:

SDT housings can be supplied in following materials.

- Grey cast iron SD
- Spheroidal graphite iron (Ductile Iron) SDD

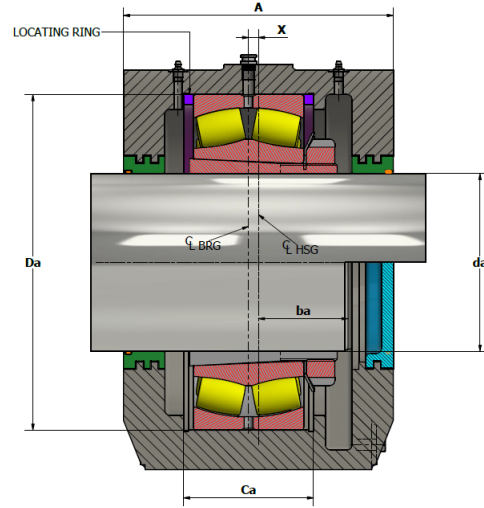
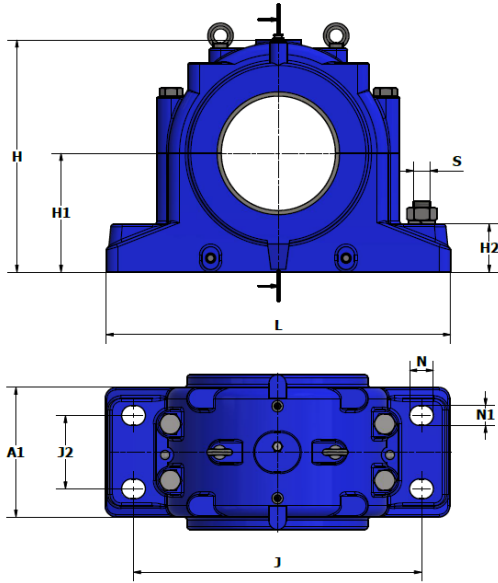
**NOTE:** it is important to specify the bearing housing requirement as-

- (1) **AL** Housings for shaft end, with end cover, for non-locating bearing.
- (2) **AF** Housings for shaft end, with end cover, for locating bearing.
- (3) **BL** Housings for through shaft, for non-locating bearing.
- (4) **BF** Housings for through shaft, for locating bearing.

“BEARING HOUSING SOLUTIONS – WORLDWIDE”



# SDT 3100 Series Cast Steel



Bri-Mac Part No	Shaft Dia (da)	Dimensions (mm)														Bolt Size (S)	Bearing No	Adapter Sleeve	Labyrinth Seal		Locating Ring	
		Da (H7)	H	H1 (h13)	H2	L	A1	J	J2	A	Ca	X	ba	N	N1				Seal	End Cover	Number	Quantity
SD 3134	150	280	335	170	70	510	180	430	100	230	108	14	76	35	28	M24	23134 CCK/W33	H 3134	TS 34	ETS 34	10/280	2
SD 3136	160	300	355	180	75	530	190	450	110	240	116	15	81	38	30	M24	23136 CCK/W33	H 3136	TS 36	ETS 36	10/300	2
SD 3138	170	320	375	190	80	560	210	480	120	260	124	10	86	48	35	M24	23138 CCK/W33	H 3138	TS 38	ETS 38	10/320	2
SD 3140	180	340	410	210	85	610	230	510	130	280	132	10	91	42	35	M30	23140 CCK/W33	H 3140	TS 40	ETS 40	10/340	2
SD 3144	200	370	435	220	90	640	240	540	140	290	140	12	96	46	36	M30	23144 CCK/W33	H 3144	TS 44	ETS 44	10/370	2
SD 3148	220	400	475	240	95	700	260	600	150	310	148	12	102	46	38	M30	23148 CCK/W33	H 3148	TS 48	ETS 48	10/400	2
SD 3152	240	440	515	260	100	770	280	650	160	330	164	13	112	60	45	M36	23152 CCK/W33	H 3152	TS 52	ETS 52	10/440	2
SD 3156	260	460	550	280	105	790	280	670	160	320	166	16	115	60	45	M36	23156 CCK/W33	H 3156	TS 56	ETS 56	10/460	2
SD 3160	280	500	590	300	110	830	310	710	190	350	180	22	124	64	45	M36	23160 CCK/W33	H 3160	TS 60	ETS 60	10/500	2
SD 3164	300	540	630	320	115	880	330	750	200	370	196	23	135	72	45	M36	23164 CCK/W33	H 3164	TS 64	ETS 64	10/540	2
SD 3168	320	580	670	340	120	965	380	840	240	390	210	25	155	70	52	M36	23168 CCK/W33	H 3168	TS 68	ETS 68	10/580	2
SD 3172	340	600	720	360	130	1040	390	890	255	400	212	22	159	77	60	M48	23172 CCK/W33	H 3172	TS 72	ETS 72	10/600	2
SD 3176	360	620	750	380	135	1120	400	980	255	405	214	22	162	88	68	M56	23176 CCK/W33	H 3176	TS 76	ETS 76	10/620	2
SD 3180	380	650	790	400	140	1245	420	1050	270	425	220	22	197	96	75	M64	23180 CCK/W33	H 3180	TS 80	ETS 80	10/650	2

“BEARING HOUSING SOLUTIONS – WORLDWIDE”

